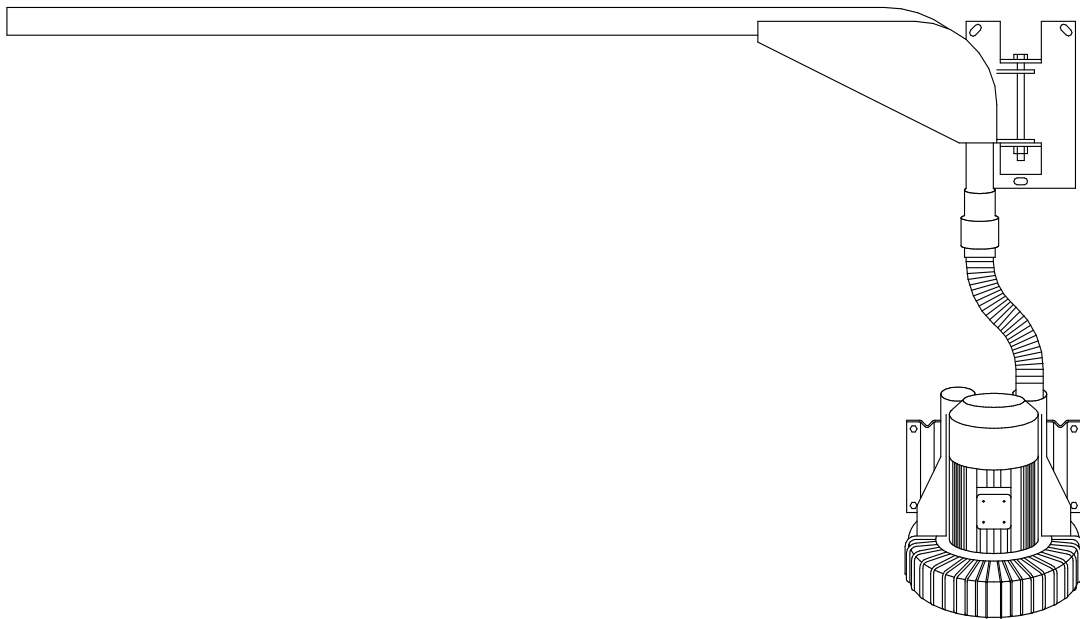


Super-Shamnee II

208-240V 3-Phase
Touchless Spotfree Drying System

Installation Manual



(For Model Super-Shamnee II Wall/Attic Mount Dryer Unit)

Diskin Systems Inc.

9550 South IL Rt 31

Algonquin, IL 60102

(815)-276-7288



SAFETY FIRST

Always Observe all safety guidelines provided by manufacturer when installing or servicing unit.

Super-Shamnee II

208-240V 3-Phase Touchless Spotfree Drying System

WARNING: Read entire installation manual before attempting to install unit. Failure to read and understand installation process can lead to damage of Super-Shamnee unit, existing wiring, and serious injury or death.

PRIOR TO INSTALLATION:

Before attempting Super-Shamnee II Installation please check the following requirements:

ELECTRICAL REQUIREMENTS:

1. 208-240V 3-Phase AC 60 Hz power.
2. 15 amp 3-phase breaker available for power supply.
3. Drop line or wiring rated for 20 amp 240v service.
4. 24 volt signal from available position on selector switch or panel.
5. 3 HP-20 amp 240v rated 3-pole Motor Starter/20 amp 240 v rated definite purpose contactor with 24 volt coil.

MOUNTING REQUIREMENTS:

1. An open area in the bay large enough to allow free swing of the hose boom and enough room to allow the hose to hang under the end of the boom tight against the wall.
2. enough room to either mount the blower unit on the bay wall or enough space to mount the dryer unit in an attic space.
3. Height close or equal to the maximum height clearance of the bay.



SAFETY FIRST

Always Observe all safety guidelines provided by manufacturer when installing or servicing unit.

Super-Shamnee II

208-240V 3-Phase Touchless Spotfree Drying System

INSTALLATION OF THE HOSE BOOM:

1. Disconnect all electrical service to the bay. (You will be drilling into the wall and must avoid drilling through any conduit.)

2. Hold the boom in the desired location on the wall and check for clearance of existing equipment etc.

3. Remove the boom pin and separate the boom from the mounting plate.

4. Tilt the boom base plate (approx 10 deg) either direction so that gravity will pull the boom back to desired position when the dryer is not in use.

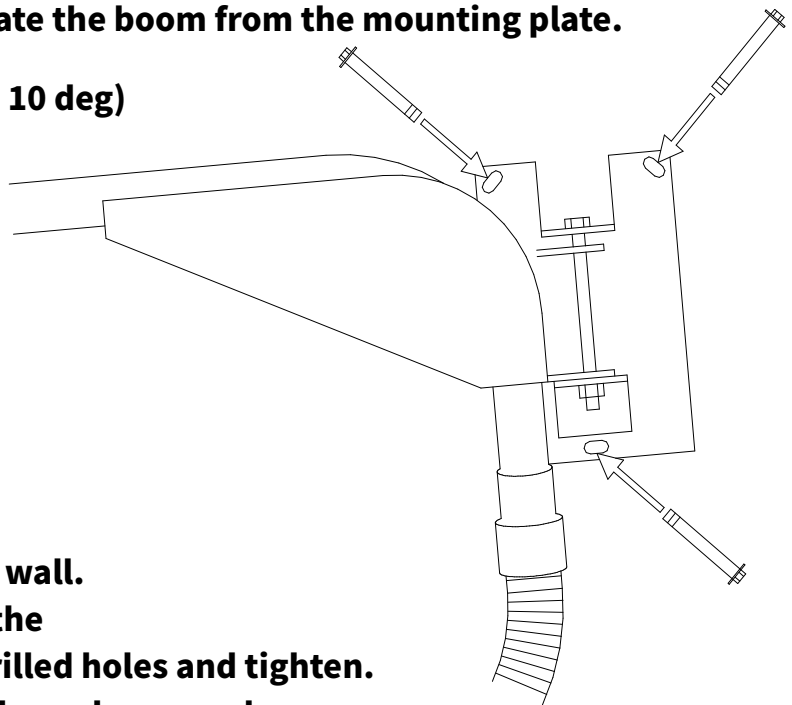
5. Mark the Holes.

6. Drill 3/8" Holes using a masonry bit in the center of each mark.

7. Hold the boom bracket up to the wall. Insert the sleeve anchors through the boom bracket holes and into the drilled holes and tighten. Use a hammer if necessary. Use 3" long sleeve anchors.

8. For installations where the dry unit mounts above the boom, invert the boom and plate so the intake points up towards the ceiling. Be sure to have enough room between the boom and the ceiling to allow for the hose to flex. Usually 1 foot minimum.

i.e. boom mounts upside down.



SAFETY FIRST

Always Observe all safety guidelines provided by manufacturer when installing or servicing unit.

Super-Shammee II

208-240V 3-Phase
Touchless Spotfree Drying System

INSTALLATION OF THE SUPER-SHAMMEE UNIT:

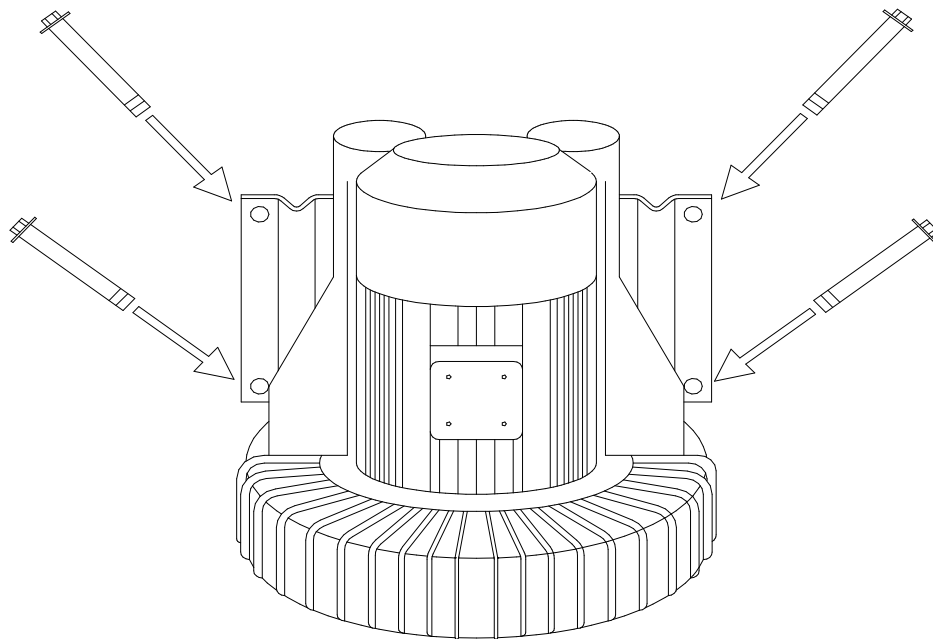
1. Position the Super Shammee Unit against the wall in a position where it is as high up as possible but will still allow for proper swing of the boom assembly. Make sure the blower outlet points towards the boom intake.

Note: blower cannot be mounted upside down!!!

2. Once a suitable location is found remove the mounting bracket and use it to mark the holes on the wall. Once marked reinstall the units mounting bracket.

3. Drill 3/8" Holes using a masonry bit in the center of each mark.

4. Hold the unit up to the wall. Insert the sleeve anchors through the boom bracket holes and into the drilled holes and tighten. Use a hammer if necessary.



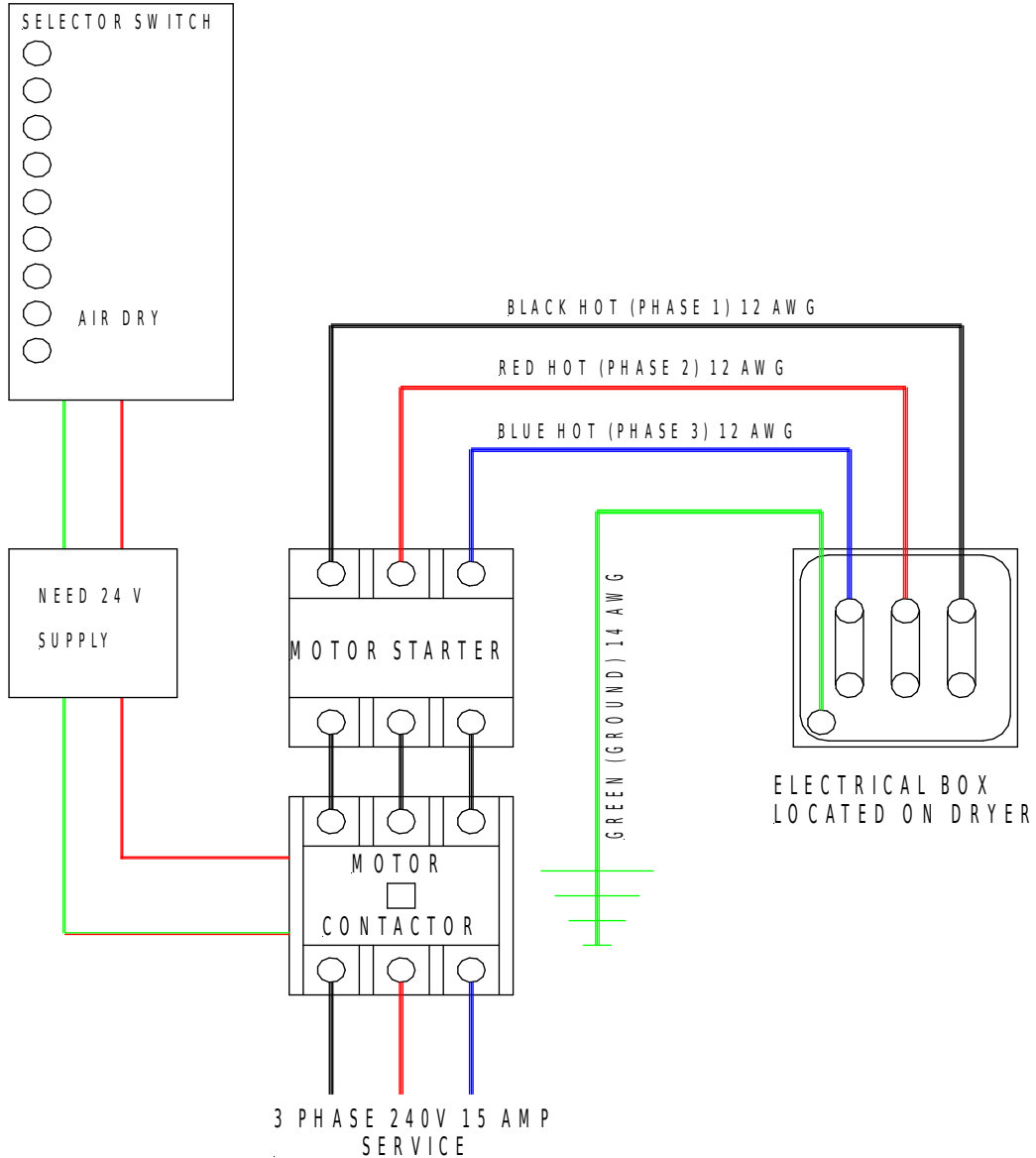
SAFETY FIRST

Always Observe all safety guidelines provided by manufacturer when installing or servicing unit.

Super-Shamree II

208-240V 3-Phase Touchless Spotfree Drying System

SUPER-SHAMREE II ELECRICAL SCHEMATIC



SAFETY FIRST

Always Observe all safety guidelines provided by manufacturer when installing or servicing unit.

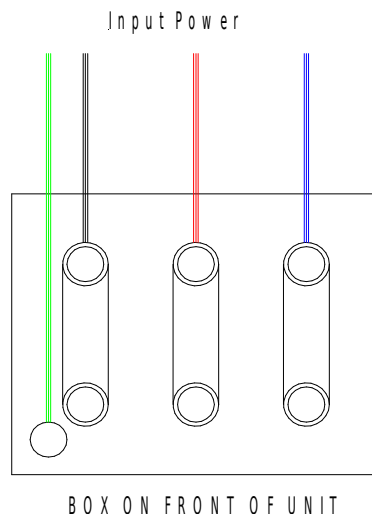
Super-Shammee II

208-240V 3-Phase

Touchless Spotfree Drying System

AIR SHAMMEE ELECTRICAL WIRING:

1. Install a separate electrical box containing a 3 HP-20 amp 240v rated 3-pole Motor Starter/20 amp 240 v rated definite purpose contactor with 24 volt coil. Run a 20 Amp 240v three phase drop line with a ground from a 15 Amp 3-pole Breaker installed in the appropriate distribution panel (to provide power) to the location of the Motor Starter electrical box.
2. Connect the drop line hot wires (Ex. Black, Red ,Blue) to the motor contactor power input. Be sure to Ground Bond the box and all components to the ground lead of the drop line (Green). **BE SURE POWER IS TURNED OFF AT BREAKER!!!**
3. Run a 20 Amp 240v three phase drop line with ground to the location of the Super-Shammee II unit. Connect one end of the drop line to the Definite Purpose Contactor in the Motor Starter Box.
4. Connect the other end of the Drop Line to the Electrical Box located on the front of the dryer unit.



SAFETY FIRST

Always Observe all safety guidelines provided by manufacturer when installing or servicing unit.

Super-Shammee II

208-240V 3-Phase Touchless Spotfree Drying System

6. Connect the two 24 volt coil leads on the Motor Contactor located in the Motor Starter Box, to a two conductor cable running to the 24 volt selector switch inside the bay selector panel. Alternatively, the 24 volt cable can be connected to the signal terminal at the wash bay control panel if a spare wire is present running from the selector switch in the coin box. Red to switch position hot and blue or green to common.
5. Check all wires for loose connection and restore power by turning on circuit breaker. If unit runs slow or backwards take ANY TWO HOT LEADS AND REVERSE THEM. (EX. Red to Blue and Blue to Red.)

NOTE: BE SURE TO FOLLOW ALL LOCAL AND NATIONAL ELECTRICAL CODES. PLEASE USE AN EXPERIENCED ELECTRICIAN OR TECHNICIAN TO INSTALL ELECTRICAL WIRING.



SAFETY FIRST

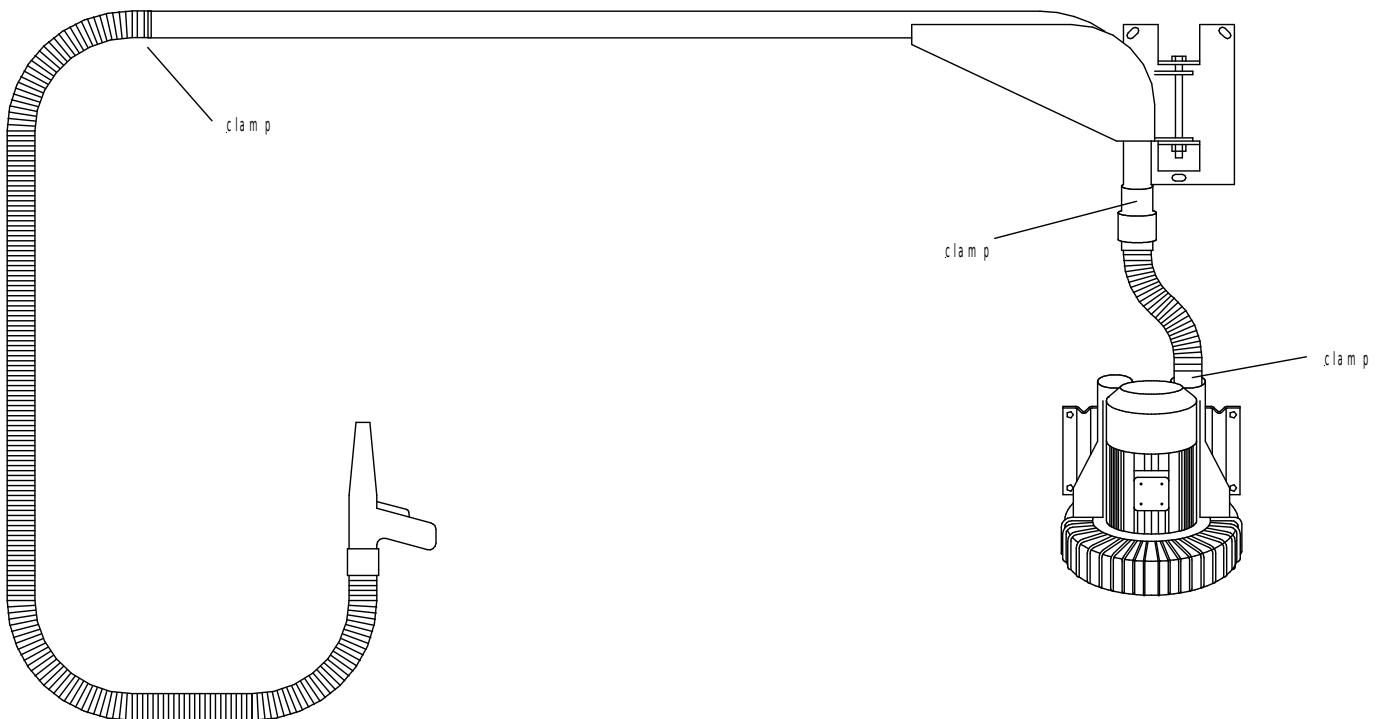
Always Observe all safety guidelines provided by manufacturer when installing or servicing unit.

Super-Shamree II

208-240V 3-Phase
Touchless Spotfree Drying System

INSTALLATION OF THE SUPER-SHAMREE II HOSE ASSEMBLY:

- 1. Connect boom connector hose to dryer output and tighten clamp. Cut down size if necessary. Use provided hose clamps to secure the hose.**
 - 2. Attach 13 ft Hose with nozzle assembly to the boom exhaust using provided hose clamps.**
 - 3. Check to make sure hose reaches all areas of the bay and does not rest excessively on bay floor. Cut hose if necessary.**
- Note: Hose may grow longer due to pressure and heat and may start to drag on the bay floor with time. Trim hose if this happens.**



SAFETY FIRST

Always Observe all safety guidelines provided by manufacturer when installing or servicing unit.